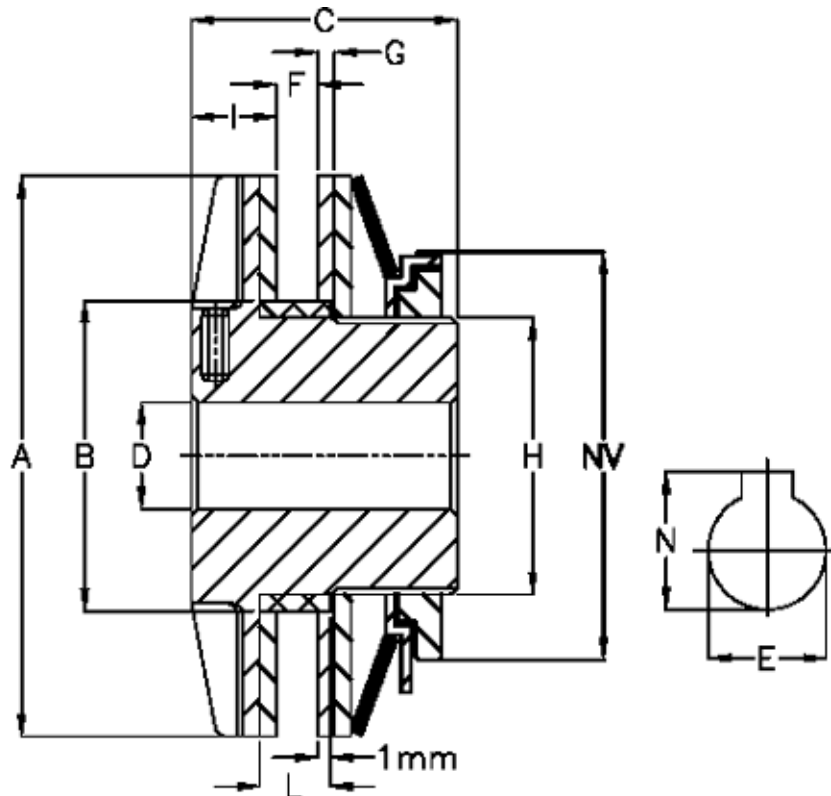


Article number: 4600286

Description: Securex torque limiter T 28/40

Measures



A = 40	L	= 8
B = 26	Largest possible bore with slot according to DIN 6885/1, E max = 14	
C = 28	Largest possible bore with slot according to DIN 6885/1, N	= 16.3
D = 7	Largest possible bore with slot according to DIN 6885/3, E max = 16	
F = 7	Largest possible bore with slot according to DIN 6885/3, N	= 17.4
G = 2.8	Max torque Nm	= 28
H = 22	Number of springs	= 2
I = 8	NV	= 30